

---

# Linear Actuators

## JC35N3



TECHNOLOGY  
DRIVES INTELLIGENT LIFE

Data sheet

## JC35N3

- JC35N3 is a low-load linear actuator, model: JC35N3-100N (push);
- JC35N3 is characterized by fast speed, high IP grade (IP66) and low noise.



---

### Features

- Max load: 100N
- Color: Grey/Black
- IP grade: IP66
- Input voltage: 12VDC
- Stroke length: 100N: 20/30mm
- Retracted length: L=237
- Noise level:  $\leq 50\text{dB}$  (Ambient Noise  $\leq 40\text{dB}$ )
- Safety nut: No
- Anti-pitch: No
- Electrical limit switches: No
- Weight: about 300g
- Static bending moment: not allowed
- Flame retardant rating: UL92V-0

## Usage

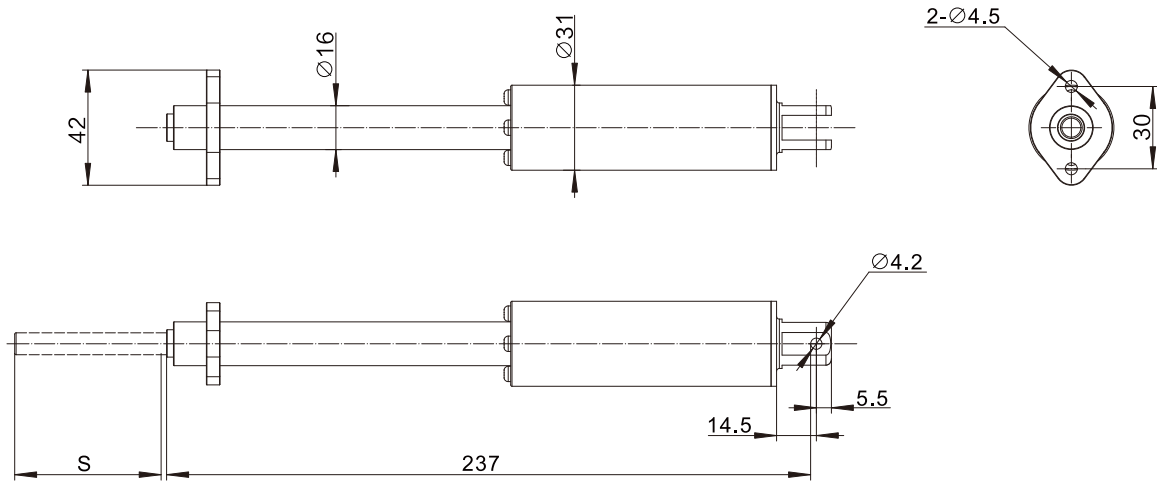
- Duty cycle: 10%; Use for 2 minutes and rest for 18 minutes
- Operating temperature: 0-50°C
- Storage temperature: 0-50°C
- Relative humidity: 20%-90% at 30°C, non-condensing
- Atmospheric pressure: 700-1060 hPa

---

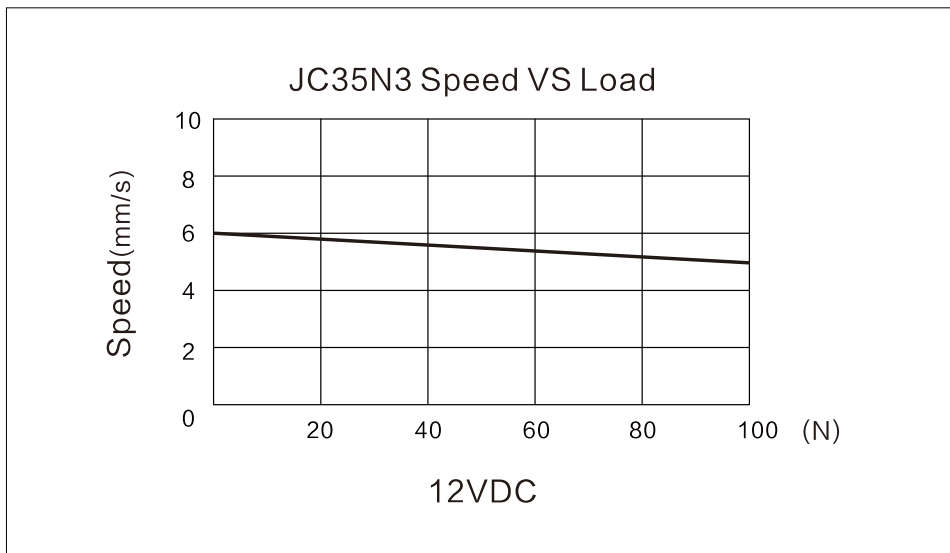
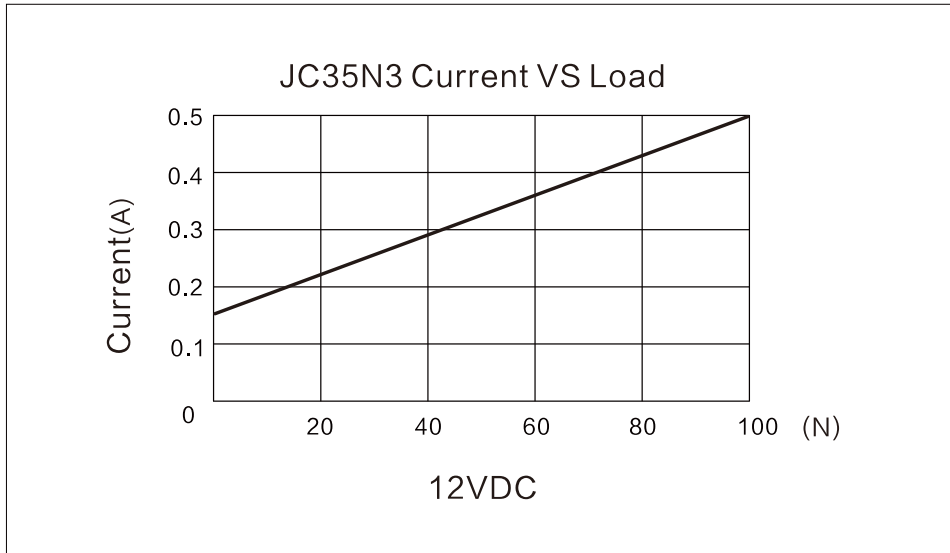
## Technical specifications

Input voltage (VDC)	Spindle Pitch (mm)	Max.Load Push (N)	Static Load Push (N)	Speed at 0/Full Load (mm/s)	Current at Full Load (A)
12	4	100	100	6/5	0.5

## Dimensions



## Characteristic curve



## Ordering Key

JC35N3 - 0 - 0D1 - 5 - 12 - XXX/237 - 0 - X - 0 - 0 - 0 - XX - XXX

